

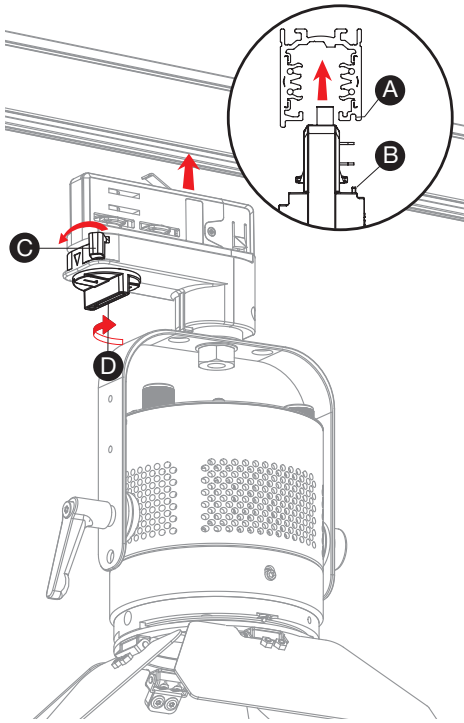
P3-Series User Guide

P3-Series Setup (TOX)

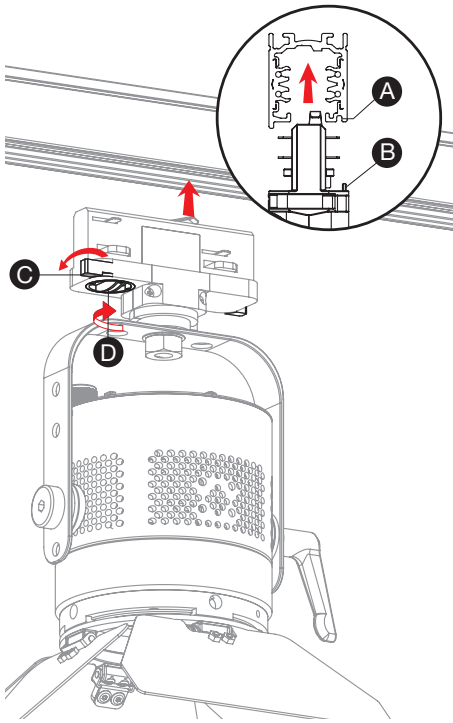
1. Push & Lock Track Adapter into the Track

- Insert the adapter into the track so that the mechanical key (B) in the adapter aligns with the groove (A) in the track. Rotate the locking lever (C) approximately 90 degrees until it reaches the lock position.
- Use knob (D) to select the circuit the fixture will draw power from.

PSP (US) Type

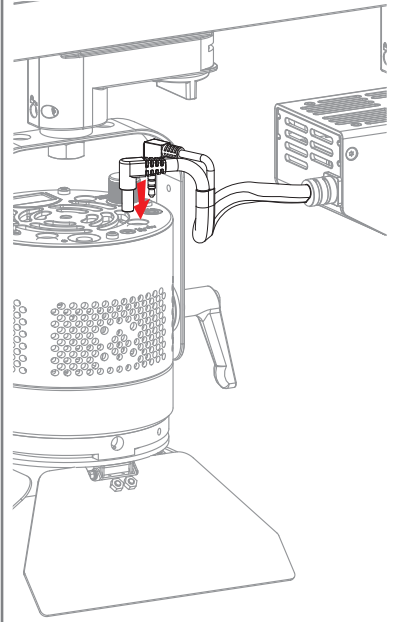


PSP (EU) Type



2. Connect the Power Cord

- Connect the DC power supply cord and the DMX cord to the light fixture.
- Once connected power on the track and turn the intensity (INT) knob on the light fixture to confirm it is operational.
- Adjust the fixture to the desired angle using the tilt lock lever.

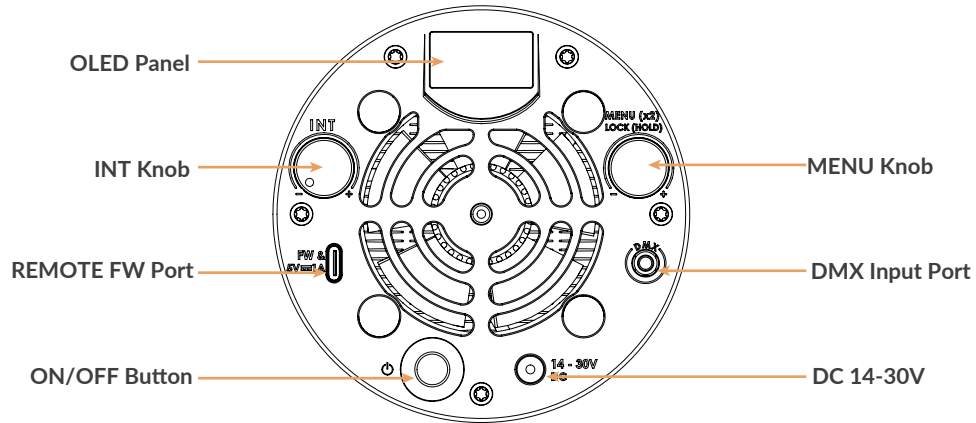


This device complies with Part 15 of the FCC Rules. Operation is subject to the following two conditions:

(1) This device may not cause harmful interference, and (2) this device must accept any interference received, including interference that may cause undesired operation.

P3-Series Control Panel Guide

Control Panel Overview



INT Knob Controls

• Use the INT knob to modify brightness in any mode.

MENU Knob Controls

• Use the MENU knob to adjust all other parameters, navigate the MENU, and change modes.

INT	MENU	MENU	MENU
Twist	1x Press	Twist	2x Press
Adjust fixture output	Enter edit mode/ Press again to confirm	Select/Adjust	Return to upper level

DMX Addressing Instructions

Set DMX Address

- 1) Once the fixture is powered on, twist the MENU knob right until "DMX ADDR." appears, then press the MENU knob once.
- 2) Two arrows will appear. Twist MENU knob until the desired address is selected, and then press the MENU knob to save.



DMX Signal

When the fixture is not connected to a DMX signal, the screen displays "NO DMX". Once connected, it displays "DMX OK".



Select/Change Mode

- 1) Once the fixture is powered on, twist the MENU knob until "MENU" appears, then press MENU knob once.



- 2) Twist the MENU knob to move through other settings.

- 3) While "MODE" is on screen, press the MENU knob once.

Two arrows pointing up and down appears in the center of the screen.



- 4) Twist the MENU knob to select the desired mode, then press the MENU knob to enter.

*A full list of available modes can be found on the webpage.



CCT Mode Operation

1) Intensity "INT" controls the overall fixture output.



2) To adjust the CCT, twist the MENU knob until "CCT" is highlighted.

Press the MENU knob once. Two arrows will appear above and below the current CCT value.

Twist the MENU knob to make adjustments then press the MENU knob to save.



3) To adjust the green/magenta shift, twist the MENU knob until "GN+" is highlighted.

Press the MENU knob once. Two arrows will appear above and below the current GN value.

Twist the MENU knob to make adjustments then press the MENU knob to save.



HSI Mode Operation

1) Intensity "INT" controls the overall fixture output.



2) To adjust the HUE, twist the MENU knob until "HUE" is highlighted.

Press the MENU knob once. Two arrows will appear above and below the current HUE value.

Twist the MENU knob to make adjustments then press the MENU knob to save.



3) To adjust the saturation, twist the MENU knob until "SAT" is highlighted.

Press the MENU knob once. Two arrows will appear above and below the current SAT value.

Twist the MENU knob to make adjustments then press the MENU knob to save.



RGBW Mode Operation

1) Intensity "INT" controls the overall fixture output.



2) To adjust the red value, twist the MENU knob until "R" is highlighted.



3) Press the MENU knob once. Two arrows will appear above and below the current red value.

Twist the MENU knob to make adjustments then press the MENU knob to save.



4) Repeat the process to change the rest of the settings.